

Hylon[®] 7233 HL BK

Application: Marine Trim Tab Piston Housing*



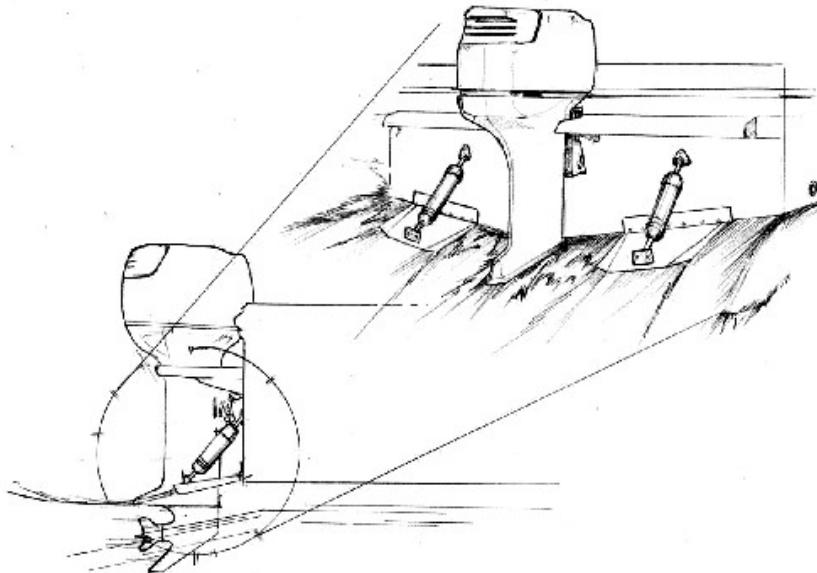
*see reverse side for application details

Material Attributes

- Good Stiffness
- Low Moisture Absorption
- Ease of Processing
- Good Chemical Resistance
- Excellent Dimensional Stability and Surface Appearance

PROPERTY	METHOD	UNIT	DAM
PHYSICAL			
Specific Gravity	ASTM D792	-	1.33
Water Absorption (24-Hr Immersion)	ASTM D570	%	-
Mold Shrinkage (Flow, 1/8 in.) [†]	ASTM D955	ln/in x 10 ⁻³	2-5 [†]
MECHANICAL @ 73°F *			
Tensile Strength	ASTM D638	psi	21,500
		MPa	148
Elongation	ASTM D638	%	2
Flexural Modulus	ASTM D790	psi	1,250,000
		MPa	8,618
Flexural Strength	ASTM D790	psi	32,000
		MPa	221
Izod Impact Strength (Notched)	ASTM D256	ft-lb/in	1.5
		J/m	80
THERMAL *			
Heat Deflection Temperature:	ASTM D648		-
66 psi		°F	-
0.46 MPa		°C	-
264 psi		°F	383
1.82 MPa		°C	195
Coefficient of Thermal Expansion	ASTM D696	in/in °F x 10 ⁻⁵	-
		mm/mm °C x 10 ⁻⁵	-

†The data listed here fall within the normal range of product properties, but they should not be used to establish specification limits or used alone as a basis for design. This information is not intended as a warranty of any kind. Buyers must make their own representative test and assume all risks of use, whether used alone or in combination with other products. Entec Polymers, LLC assumes no obligation or liability of any advice furnished by it or results obtained with respect to these products. All warranties expressed or implied including warranties of merchantability for a particular purpose or use are excluded and disclaimed. Entec Polymers, LLC assumes no liability for use of products in infringement of any patent. The foregoing limitation of remedy and exclusion of liability is reflected in and is part of the consideration for the price at which the products are sold by Entec Polymers, LLC. All data displayed herein has been obtained via testing of injection-molded specimens of natural color. Pigmentation may affect certain properties to various degrees.



Finished Product Demands

- Resistance to diesel fuel, gasoline and other solvents
- Constant submersion in salt and natural water (low water absorption)
- Rigidity, impact resistance and high strength required under many conditions:
 - Cold/warm water conditions- product will be submersed for very long periods of time under broad operating conditions
 - Extensive cyclic loading of the boat against the water (high compressive and flexural demands!)
 - Superior strength to overcome forces generated at high speeds

Hylon® 7233HL BK performs and holds up well under these conditions!